



ARIANNA REF 3

SKU: 005LEARI/REF3

Three tiers solid wood trolley with detachable refrigerated display case. Hemispherical dome with double side opening. Refrigeration by means of chilling packs for up to 5 hours of cold service. Finishing Natural and Oak on request with surcharge.



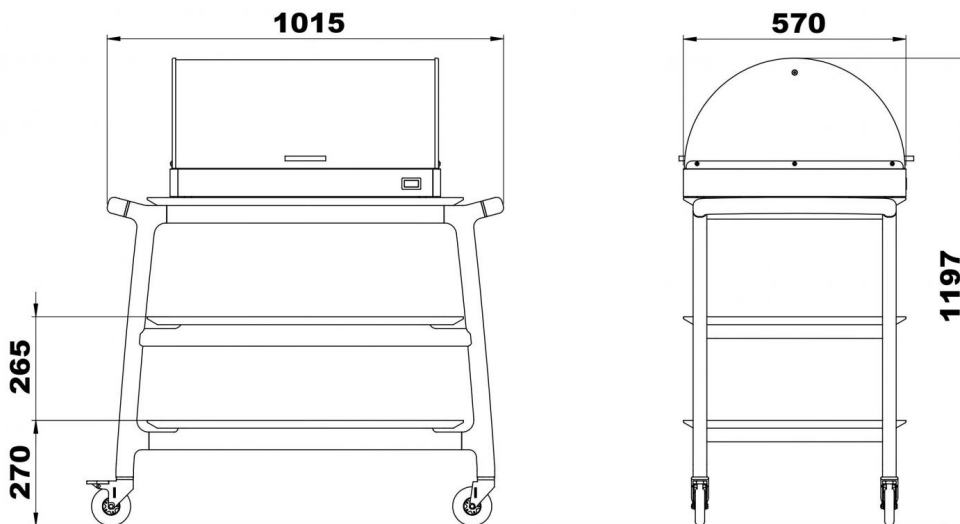
3



Ø100



4



Optional/Options

RF 100



Castors with brake
ø100

RJ



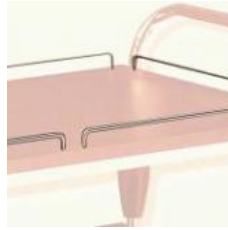
Surcharge for 4 soft
castors, 2 with brake

PE/M



Extractable dih-shelf

S/H



Chromed frame (1
shelf)

EUT 2



Extra set 2 chilling
packs

TSS



Stainless steel cover
for top shelf

S/MNL



Surcharge for non-
standard colours

Finiture/Finishes

MNL - NATURAL



MNO - WALNUT



MWE - WENGE'



RAL

