



CE

## CG 831 CF.

Cooker with 2 burners, 1 simmer plate,  
1 gas oven 620 x 400.

- Body and front in stainless steel.
- Stainless steel legs with adjustable feet. Height: 150/175 mm.

### Hob and Oven

- Same features as the CG 831 P model with a cast iron simmer plate (400 x 500 mm).
- Removable central disk on 5 kW burner.
- Thermocouple safety
- Standard equipment: 1 oven rack, 1 enamelled roasting dish.

**CG 831 CF**

W 800 - D 650 - H 900

### Variations:

#### HOB

**SB 138** 1 x 1.5 kW or 1 x 4 kW burner instead of 1 x 3 kW burner

**SB 238** 2 x 4 kW burners instead of 2 x 3 kW burners

**SAE** Electric ignition on all gas burners

#### OVEN (instead of gas oven)

**SFE 001** 1 x static electric oven with grill (3.6 kW)\*

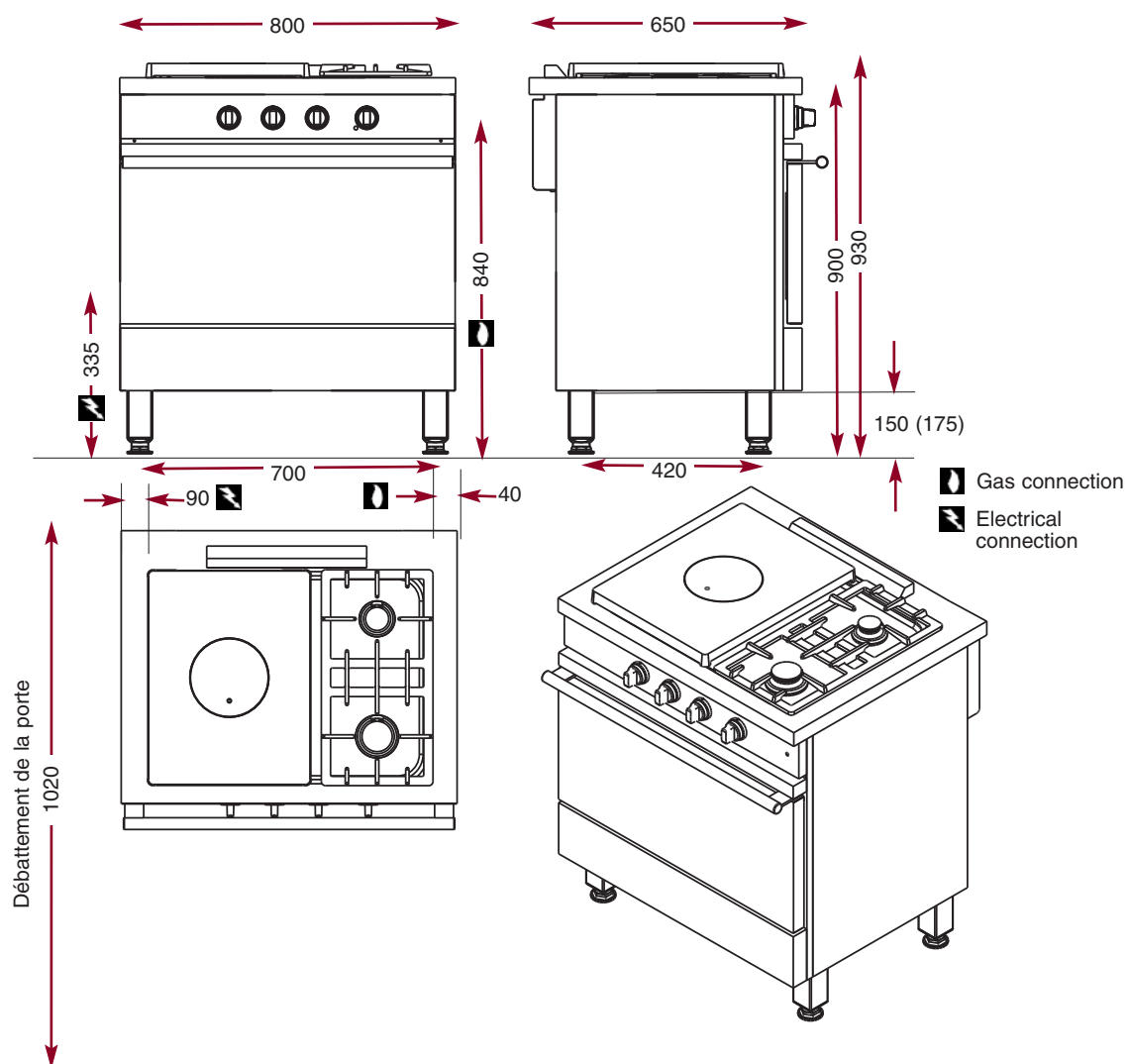
**SFCT 001** 1 x convection oven (3.4 kW) (230V single phase)

**SGE 001** Electric grill (in convection oven)

\*With 400V installation (without N phase), additional cost.

# 2 gas burners, 1 simmer plate, 1 gas oven

# CG 831 CF



**AMBASSADE**  
DE BOURGOGNE

*The Chef's Choice.*

N° 5 - 2