



www.santos.fr

**COFFEE GRINDER
WITH DRAWER # 01**



Internationally patented models



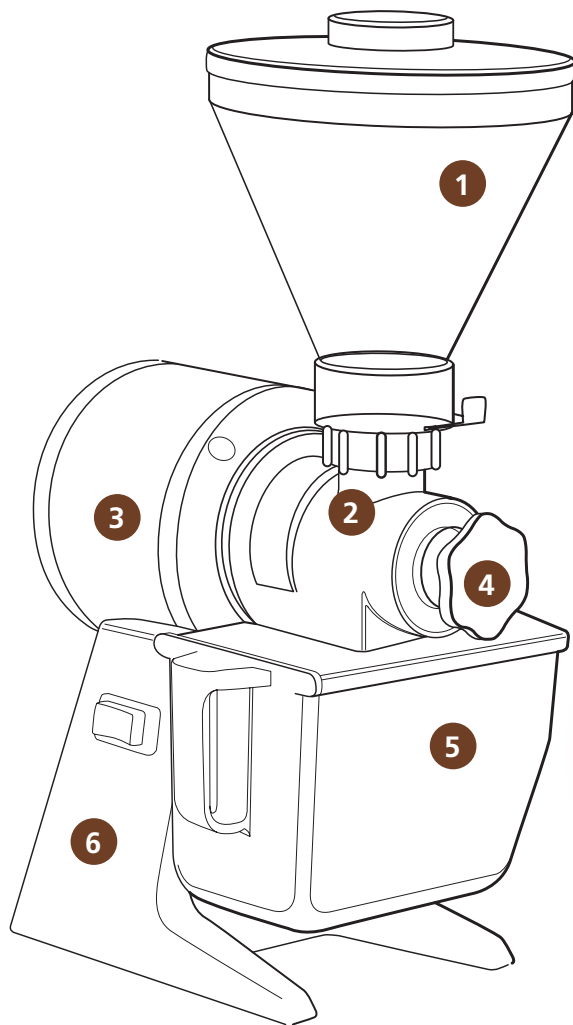


THE GENUINE COFFEE GRINDER SINCE 1954

Traditional sturdy and powerful shop coffee grinder for coffee and dry spices.

Easy to use and efficient, the coffee grinder # 01 will give you a high quality grinding.

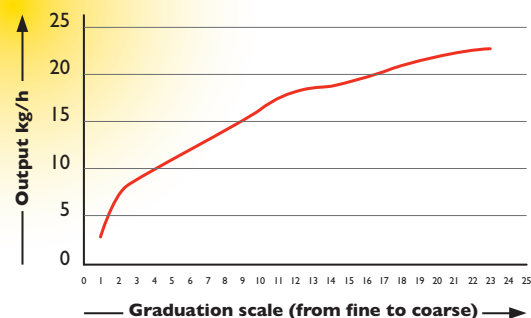
Ideal for shops, supermarkets, coffee roasters, bakeries...



1. 1 kg (2.2lbs) hopper
2. \varnothing 63.5 mm (2,5") grinding discs:
high resistance, long lasting
Designed and manufactured by Santos for a high quality grinding
3. **Powerful reliable commercial motor**
5-year warranty
4. **Precision grinding**, from very fine to coarse
Easy to adjust
5. **New special alimentary plastic drawer**
without bysphenol A Capacity 800 g (1.8lbs)
6. Stainless steel and aluminium body



Output of the coffee grinder # 01



+ COFFEE GRINDERS: SANTOS KNOW-HOW

Santos, 60 years experience

- Since 1954, we manufacture our own grinding discs for better results
- Santos is the leader in "Silent" coffee grinders for 15 years
- Constant and fine grinding, constant portion dispensed
- No "burn coffee" effect while grinding, no electrostatic coffee phenomenon
- Easy to adjust (grinding and dosing) and to maintain (changing the grinding discs is very easy)

COFFEE GRINDER WITH DRAWER # 01



GRIND MORE THAN COFFEE...

www.santos.fr



Choose the appropriate version of the grinder # 01 and grind all sorts of coffee and dry spices such as pepper, cinnamon, coriander or even poppy.

- Coffee grinder with drawer: reference 01
- Coffee grinder with bag holder: reference 01PS
- Pepper grinder with drawer: reference 01P
- Poppy grinder with drawer: reference 01PV



TECHNICAL SPECIFICATIONS



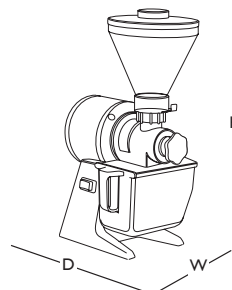
Motor

Single phase: 110-120V – 50/60 Hz – 650 W – CE
220-240V – 50/60 Hz – 600 W – CE
Speed: 1 500 rpm (50 Hz)
1 800 rpm (60 Hz)



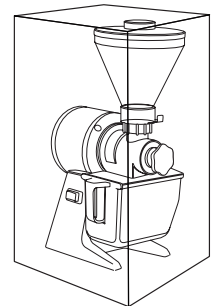
Weight

Net: 14Kg (31 lbs)
Shipping: 15Kg (33 lbs)



APPLIANCE

D: 320 mm (13")
W: 250 mm (10")
H: 550 mm (22")



SHIPPING BOX

D: 410 mm (16")
W: 300 mm (12")
H: 580 mm (22,6")

SAFETY, STANDARDS, HYGIENE

In accordance with the following regulations

Machinery directive 2006/42/EC
Electromagnetic compatibility 2004/108/EC
"Low voltage" Directive 2006/95/EC
Regulation 1935/2004/EC (contact with food)
RoHS directive 2002/95/EC

Harmonized European Standards:

NF EN ISO 12100 - 1 and 2: 2004
NF EN 60204-1: 2006

CE European standards

Thermal Safety

Motor protected by internal thermal detector

Acoustic Safety

Very silent and powerful asynchronous motor

Hygiene

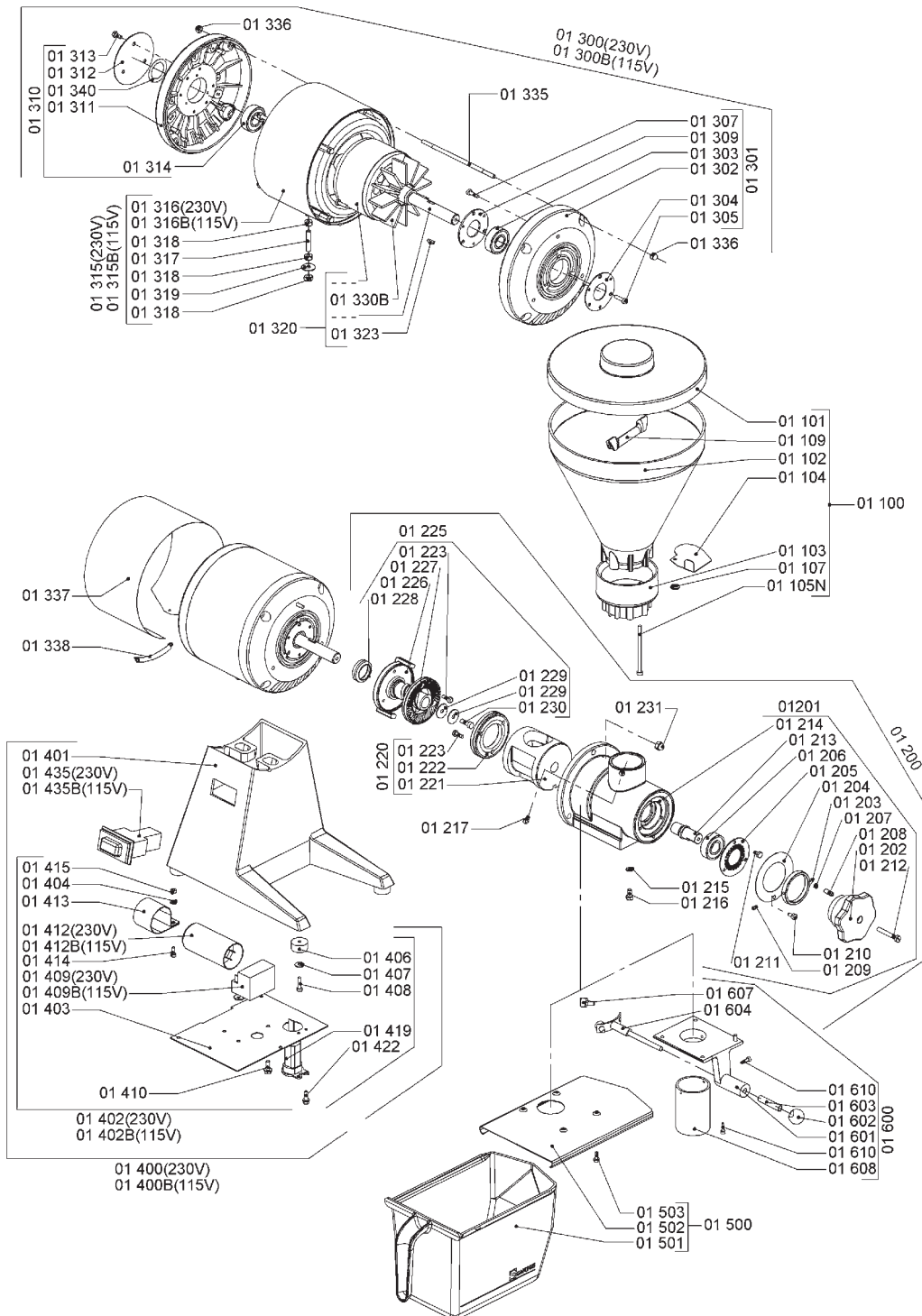
All removable parts can be put in a dishwasher or easily cleaned with hot soapy water.

PRODUCT: 2-YEAR WARRANTY – MOTOR: 5-YEAR WARRANTY



COFFEE GRINDER WITH DRAWER # 01

www.santos.fr



140-150 AV ROGER SALENGRO – 69120 – VAULX EN VELIN – LYON – FRANCE – TEL. +33 472 37 35 29 – FAX. +33 478 26 58 21
Website: www.santos.fr – E-mail: santos@santos.fr