



SHELVING for LIFE

Camshelving® Premium and Basics Plus Series



CAMBRO
TRUSTED FOR GENERATIONS™



When we say Shelving for Life, we mean it. All Camshelving® storage systems are designed to withstand the toughest conditions and the harshest environments. With our lifetime warranty against rust and corrosion, only Cambro offers SHELIVING for LIFE.





Basics Plus Series Utility Storage



Premium Series Mobile Drying Rack



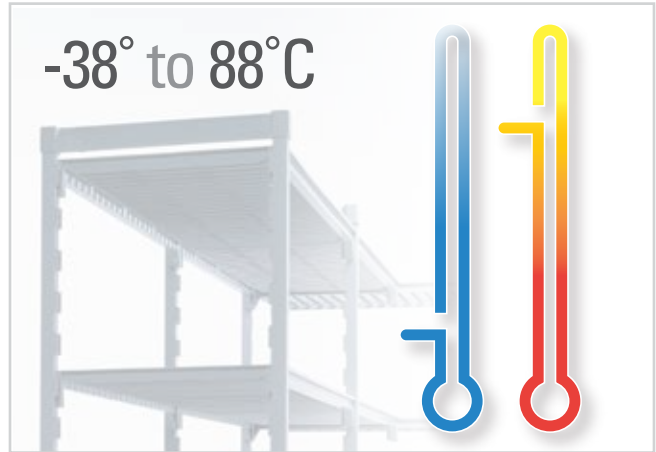
Premium Series Utility Storage

Camshelving® SHELVING for LIFE



Rust and Corrosion Free

Backed by a lifetime warranty against rust and corrosion. All Camshelving is impervious to harsh chemicals and salt water.



All Environments

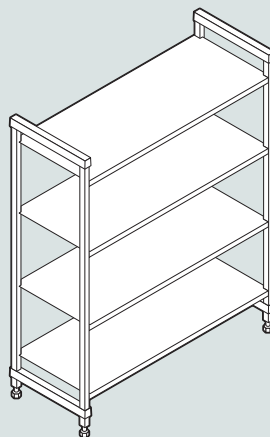
Camshelving is designed to withstand all extreme storage applications and temperatures.

- Coolers
- Freezers
- Dry Storage
- Utility

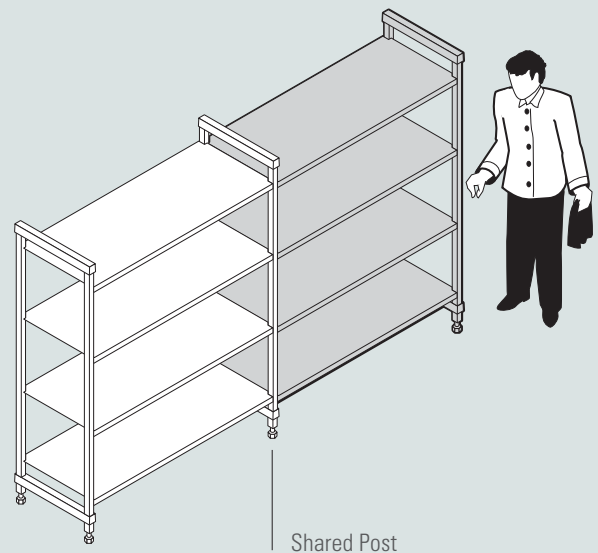
Maximized Space Utilization

Shelving units are designed to be interconnected, without compromising weight-bearing capacity, all while maximizing usable storage space.

Starter Unit



Starter + Add-On Unit





Easy to Clean

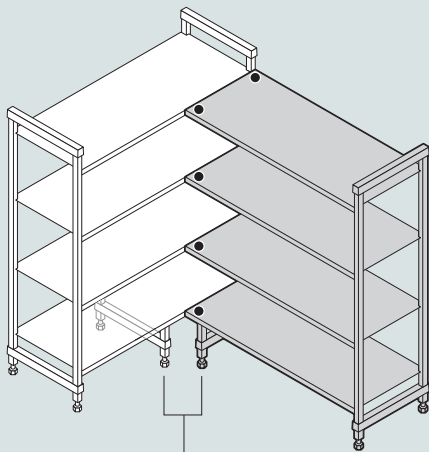
Camshelving easily wipes clean or shelf plates can go through the dishwasher. Camguard® antimicrobial shelf plates inhibit the growth of harmful bacteria and microbes.



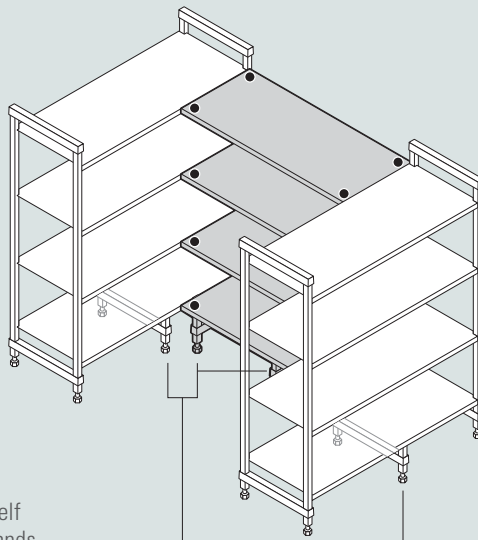
Easy to Assemble & Adjust

Units ship with preassembled frames to speed up installation. Each shelf can be easily and independently adjusted.

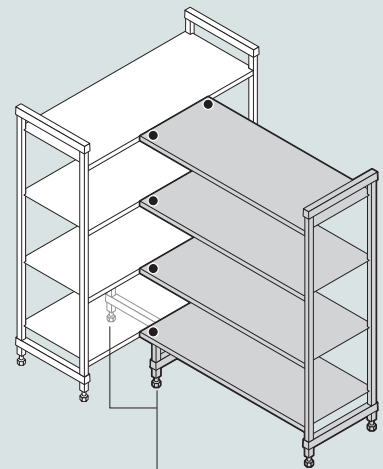
**Corner Unit
Starter + Add-On Unit**



**U-Shape Unit
Two Starter Units + Intermediate Shelves**



**T-Shape Unit
Starter unit + Add-on**



Bottom Shelf
Dunnage Stands

Convert unusable space into continuous, easy-access storage areas with corner connectors. ●
Corner connectors are for use only with shelves 680 - 1280 mm long.

Camshelving® PREMIUM series

STATIONARY | MOBILE | HIGH DENSITY

Why Choose Premium?

- Easy to clean.
- Quick and easy to assemble.
- Ideal for coolers, freezers and warewashing areas.
- Strong enough to support the toughest loads.
- Impervious to harsh chemicals and salt water.



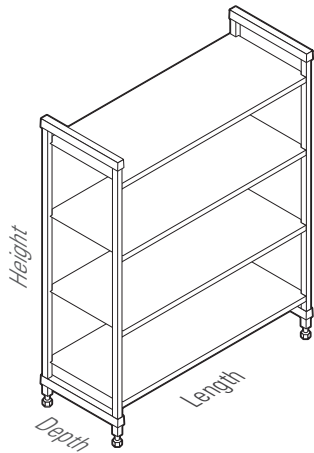
camguard
ANTIMICROBIAL SHELF PLATES



COMPONENT

Post Connectors, Corner Connectors, Seismic Foot, Wall Fastener, Identification Tags, Full Wrap Security Cage, Single Shelf Security Cage, Single Shelf Sheet Pan/Tray Rack, Shelf Rails, Shelf Divider Bars, High Density Track and Extension Kits are not NSF Listed.





Stationary Unit Sizes

4 Depths
300, 400, 500, 600 mm
12 Lengths
680, 780, 880, 980, 1080, 1180, 1280, 1380, 1480, 1580, 1680, 1780 mm
3 Heights
1700, 1800, 2140 mm

Mobile Unit Sizes

3 Depths
400, 500, 600 mm
5 Lengths
980, 1080, 1180, 1280, 1380 mm
1 Height
1790 mm

High Density Unit Sizes

2 Depths
500, 600 mm
5 Lengths
980, 1080, 1180, 1280, 1380 mm
1 Height
1790 mm

Weight Bearing Capacity

		UNIT LENGTH 680 - 1280 mm	UNIT LENGTH 1380 - 1780 mm
SINGLE UNIT	Unit only	800 kg (TUV)	600 kg (TUV)
	Shelf only	200 (TUV)	150 (TUV)
	Unit with dunnage stand*	980	740
	Bottom shelf with dunnage stand*	380	290
CORNER UNIT ** with 2 Dunnage Stands required	Unit only	810	—
	Shelf only	180	—
	Bottom shelf with dunnage stands*	270	—
MOBILE UNIT	Unit only***	340	—



TUV CERTIFICATION
WEIGHT BEARING CAPACITY

* Dunnage Stands add stability and increase weight bearing capacity on bottom shelf only. Add to any shelf length. Highly recommended for Starter Units 1375 mm and longer, all Corner Units, U-Shape Units and units specified for heavier loads.

** Corner connectors are for use only with shelves 680 - 1280 mm long.

*** Due to the weight bearing capacity of casters, maximum weight load on an entire Mobile Unit is 340 kg.



Premium Series High Density Dry Storage



Premium Series Dry Storage



Basics Plus Walk-in Cooler



Premium Series Drying Rack

Camshelving® **BASICS PLUS** series

STATIONARY

Why Choose Basics Plus?

- Easy to clean and adjust.
- Superior alternative to wire or aluminum shelving.
- Ideal for coolers, freezers, warewashing areas and dry storage.
- Made from extremely strong composite and plastic materials.
- Impervious to harsh chemicals and salt water.



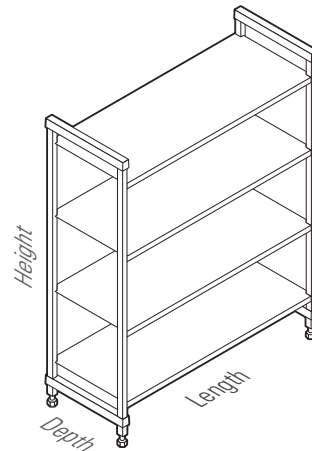
COMPONENT

Post Connectors, Corner Connectors, Seismic Foot, Wall Fastener, Single Shelf Security Cage, Single Shelf Sheet Pan/Tray Rack, and Identification Tags are not NSF listed.





Stationary Unit Sizes



4 Depths
360*, 460, 540, 610 mm
7 Lengths
765, 915, 1070, 1220, 1375, 1525, 1830** mm
3 Heights
1630, 1830, 2140 mm

* Only available for 765 to 1220 mm units
 ** Not available in 2140 mm height

Weight Bearing Capacity

		UNIT LENGTH 765 - 1220 mm	UNIT LENGTH 1375 - 1830 mm***
SINGLE UNIT	Unit only	800 kg (TUV)	800 kg (TUV)
	Shelf only	190 (TUV)	180 (TUV)
	Unit with dunnage stand*	885	880
	Bottom shelf with dunnage stand*	275	260
CORNER UNIT ** with 2 Dunnage Stands required	Unit only	590	—
	Shelf only	130	—
	Bottom shelf with dunnage stands*	200	—

* Dunnage Stands add stability and increase weight bearing capacity on bottom shelf only. Add to any shelf length. Highly recommended for Starter Units 1375 mm and longer, all Corner Units, U-Shape Units and units specified for heavier loads.

** Corner connectors are for use only with shelves 765 - 1220 mm long.

*** TUV Certification is not valid for 1830 mm long unit.



TUV CERTIFICATION
WEIGHT BEARING CAPACITY

Camshelving® Series Accessories

Make the most of your Camshelving by adding accessories to create the perfect storage system for your needs.

Support and Weight Bearing

**PREMIUM
BASICS PLUS**



Additional Traverses



Wall Fastener



Seismic Foot



Corner Connectors



Bottom Shelf Dunnage Stands

Mobility

PREMIUM



Premium Caster with Bumper



Premium Series High Density Caster with Bumper

Security

**PREMIUM
BASICS PLUS**



Full-Wrap Stainless Steel Security Cage*
PREMIUM



Single Shelf Stainless Steel Security Cage
PREMIUM | BASICS PLUS

* Fits only Camshelving Premium Series made in the USA. Special order. Allow 10 to 12 weeks for International delivery.

Camshelving® Series Accessories

Organization

**PREMIUM
BASICS PLUS**



Identification Tags



Shelf Divider Panel



Single Shelf Sheet Pan/Tray Rack



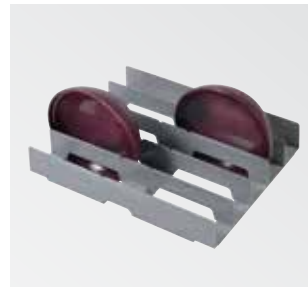
Shelf Rails
PREMIUM



Shelf Divider Bars
PREMIUM

Drying Cradles

**PREMIUM
BASICS PLUS**



Dome Drying and Storage Cradle



Vertical Drying and Storage Cradle



Angled Drying and Storage Cradle

Drying Racks

PREMIUM



Dome Drying and Storage Rack



Vertical Drying and Storage Rack



Angled Drying and Storage Rack

Camshelving® Series Buyers Guide

All Camshelving lines offer a lifetime warranty against rust and corrosion for shelf plates, posts and traverses.



	PREMIUM series	BASICS PLUS series
Shelf Depths	300, 400, 500, 600 mm	360, 460, 540, 610 mm
Shelf Lengths	680, 780, 880, 980, 1080, 1180, 1280, 1380, 1480, 1580, 1680, 1780 mm	765, 915, 1070, 1220, 1375, 1525, 1830 mm
Post Heights	Stationary: 1700, 1800, 2140 mm Mobile: 1790 mm (includes casters)	Stationary: 1630, 1830, 2140 mm
Weight-Bearing Capacity (Premium: based on 680 -1280 mm length) (Basics Plus: based on 765 - 1220 mm length)	Stationary Unit: 200 kg. per shelf, 800 kg. per unit. Mobile Unit: 340 kg. per unit. Corner Unit (2 dunnage stands required): 180 kg. per shelf, 810 kg. per unit.	Stationary Unit: 190 kg. per shelf, 800 kg. per unit. Corner Unit (2 dunnage stands required): 130 kg. per shelf, 590 kg. per unit.
Shelf Plates	Features Camguard® antimicrobial.	Not interchangeable with Premium Series.
Mobility	Available in Mobile and High Density Storage System.	Not available.
Assembly	Quickest and easiest to assemble due to molded-in dovetails.	Simple to assemble. Contains separate dovetails that must be attached to the post.
ACCESSORIES		
Bottom Shelf Dunnage Stand	✓	✓
Shelf Rails	✓	
Vertical Drying and Storage Cradle (Trays / Cutting Boards / Lids)	✓	✓
Dome Drying and Storage Cradle		✓
Angled Drying and Storage Cradle	✓	✓
Shelf Divider Panel	✓	✓
Shelf Divider Bar (for Food Pans or Food Boxes)	✓	
Single Shelf Sheet Pan/Tray Rack	✓	✓
Single Shelf Security Cage	✓	✓





Premium Series Walk-in Cooler



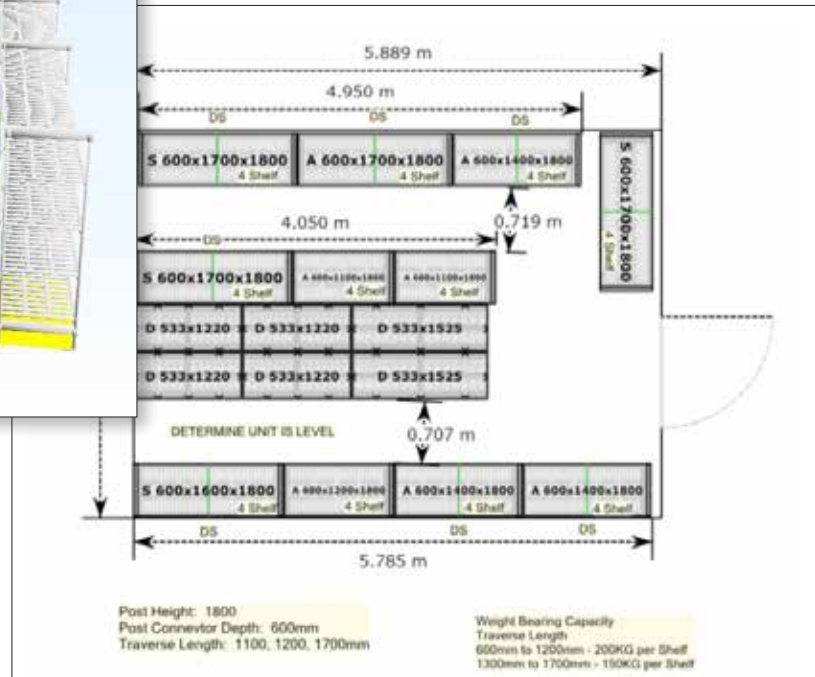
Premium Series High Density Shelving



Visit the Camshelving website at www.cambro.com/camshelving for product information and pricing on ALL available shelving products.



Basics Plus Series Utility Storage



FREE Camshelving® Design Service

Take the guesswork out of creating your perfect shelving layout. Let our expert shelving consultants prepare a free layout that optimizes your space to create the most storage options. Here's what you'll get:

- 2D Floor Plan
- 3D Floor Plan
- Itemized product list by room/area
- All within 48 business-day hours



It's Simple! To Get Started, Please Provide:

- Project Name
- Storage Room Type (freezer / cooler)
- Room(s) Dimensions (L x W x H)
- Doorway / Entryway Location & Dimension
- Obstructions (condenser / pipes)
- Additional Preferences / Requirements

We look forward to designing the perfect storage solution for you. Call or email today to connect with one of our Camshelving consultants.

CAMBRO USA: 1(714) 230-4113
shelving@cambro.com

CAMBRO EUROPEAN LOGISTICS: (49)7022 90 100 0
cambroeuropa@cambro.com

CAMBRO UK: 0800 587 0057 (Toll Free)
cambrouk@cambro.com

CAMBRO IRELAND: 1 800 509 046 (Toll Free)
cambroireland@cambro.com

CAMBRO
TRUSTED FOR GENERATIONS™
www.cambro.com

CAMBRO U.S.A.
TEL: 1(714) 848-1555
FAX: 1(714) 230-4375
international@cambro.com

CAMBRO EUROPEAN LOGISTICS
TEL: (49) 7022 90 100 0
FAX: (49) 7022 90 100 19
cambroeuropa@cambro.com

CAMBRO UK
TEL: 0800 587 0057 Toll Free
FAX: 0845 280 3411
cambrouk@cambro.com

CAMBRO IRELAND
TEL: 1800 509 046 Toll Free
FAX: 01 633 55 76
cambroireland@cambro.com

© Copyright Cambro Manufacturing Company. Printed in the U.S.A.
LITX18MPSHELENG

1041806